

# Example documentation F4H

Photos Piper J-3 Cub walk-around used with  
kind permission from RCScaleBuilder.com  
Photographer: Stan Alexander

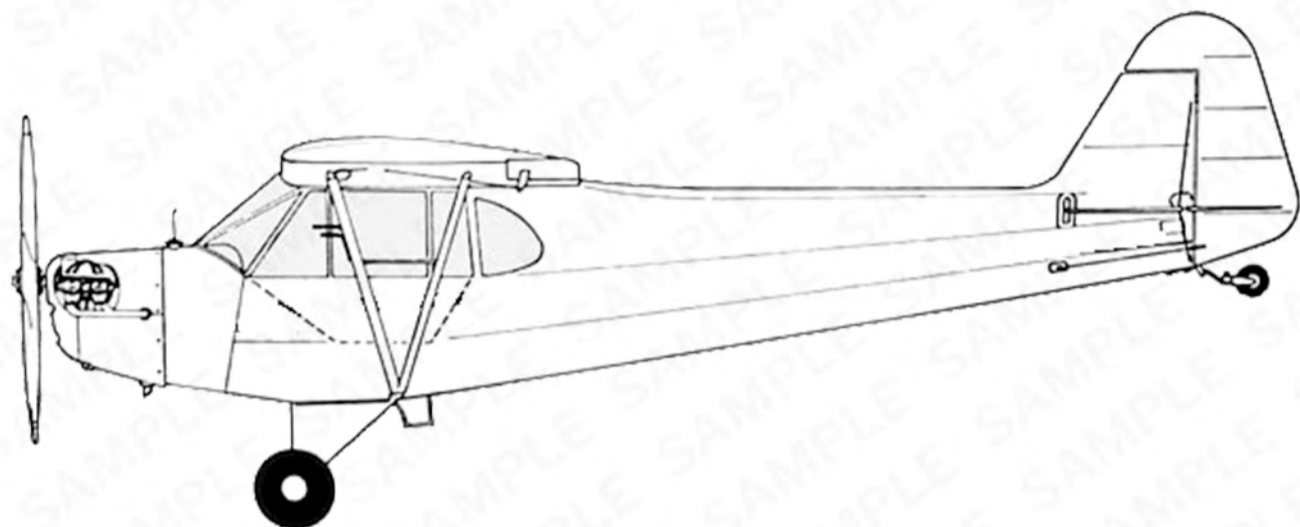
Sheets in A4 size

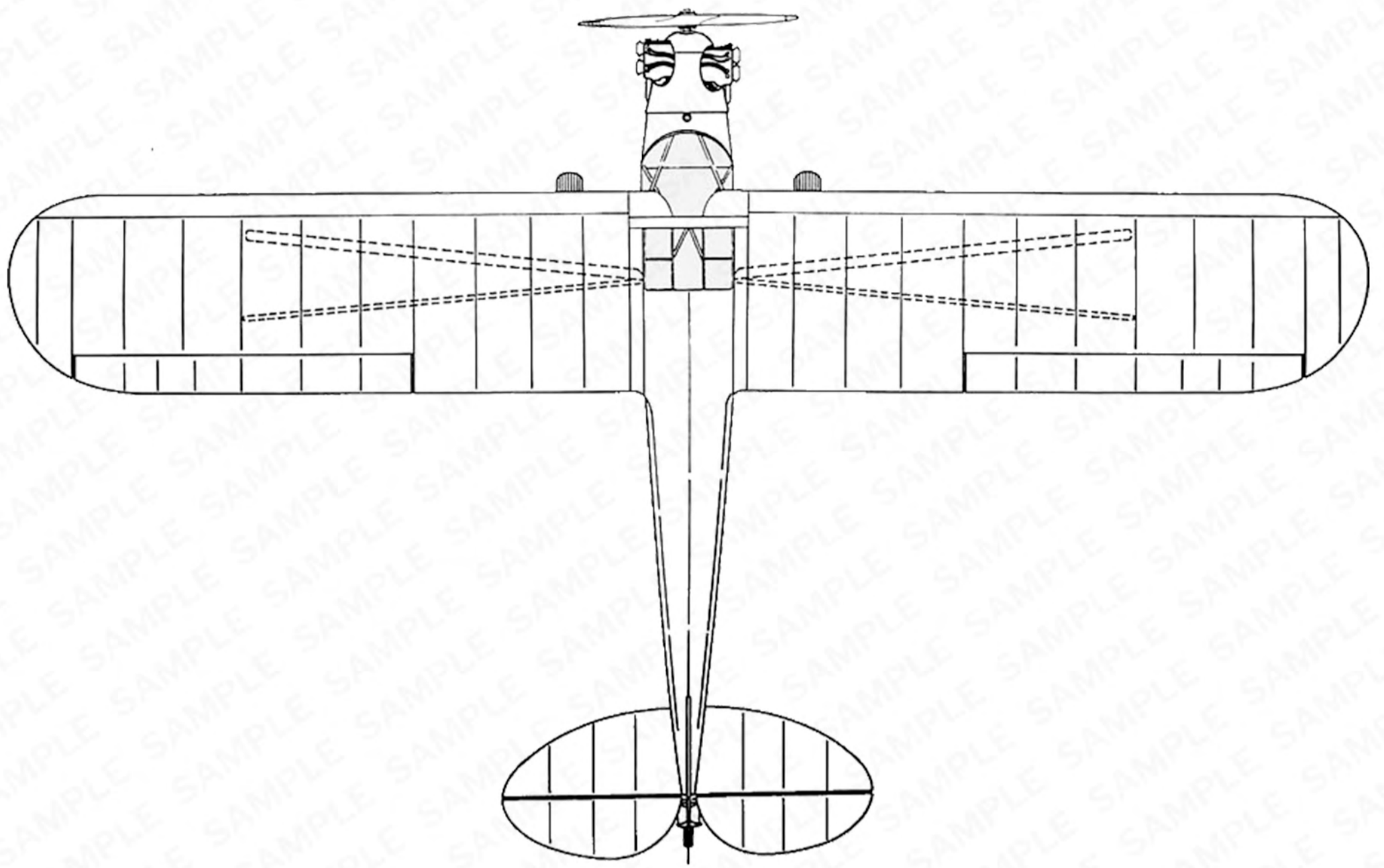
F4H  
Scale 1:4

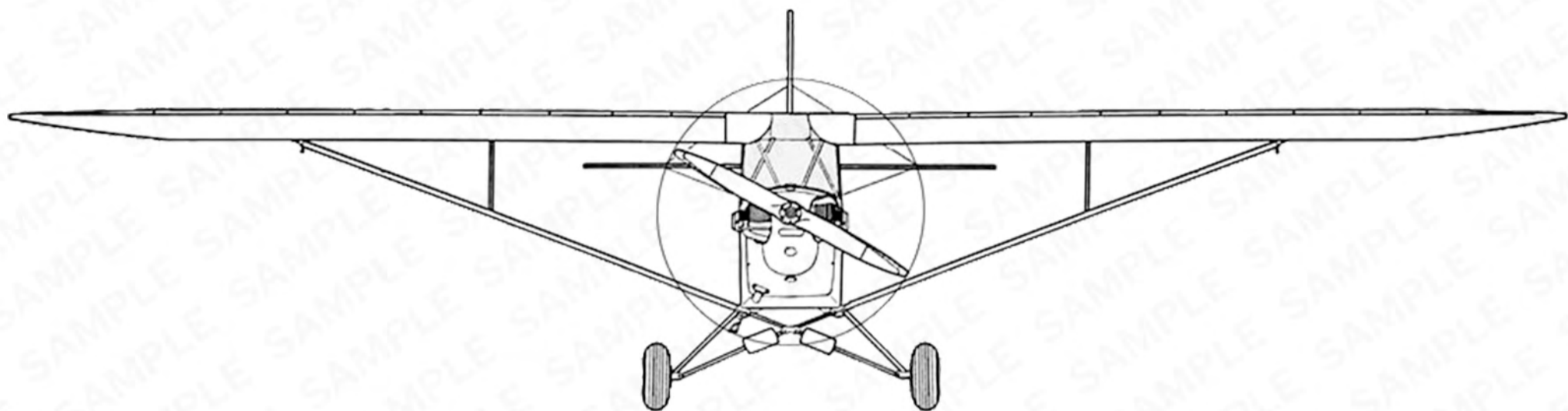
## Piper J-3 Cub

Cruise speed: 75 mph / 121 km/h

Builder/pilot: Jan Jansen









F-6285 Cub J3 Yellow



Colour



H-6117 Black



**ANNEX 6E**

**FORM(S) FOR USE IN SCALE MODEL AIRCRAFT CONTESTS**

**CLASSES F4B, F4C, F4G, F4H and F4K**

**ANNEX 6.E1 COMPETITOR'S DECLARATION FORM.**

This form must be completed and signed by the competitor and endorsed by the competitor's NAC.

CHAMPIONSHIP logo and FAI emblem

Competitors are to indicate answers YES or NO by circling the appropriate boxes

Competitor's Name	National Identification	Model Name & Type	Class F4B, F4C, F4G, F4H, F4K

If your flight schedule is to include Optional Demonstrations 6.3.7. P or Q – Flight function by subject aircraft – provide full details of your manoeuvre(s) here or on a separate sheet.

**NON-AEROBATIC DECLARATION - Under the terms of rule 6.3.7, do you consider your aircraft to be non-aerobatic? If YES give reasons below.**

YES	NO
-----	----

cont/...

**Annex 6E.1 .../cont**

**STATIC JUDGING QUESTIONNAIRE ... continued**

Was the structure of this model researched and designed entirely by you?	YES	NO
Was this model built using a commercially available design or plan? If YES state the name of the person who has drawn the plan.	YES	NO
Was this model built from a kit? If YES, state kit manufacturer's name:	YES	NO

Indicate if any of the following items are supplied as part of a kit or not made by you. List any additional items (other than R/C equipment) in the empty spaces or on a separate sheet. (Refer to Rule 6.1.13)

Moulded or built up fuselage	YES	NO
Pre-formed or built up wing panels	YES	NO
Pre-formed or built up tail surfaces	YES	NO
Moulded canopy	YES	NO
Moulded or spun engine cowlings	YES	NO
Undercarriage assembly	YES	NO
Wheels	YES	NO
Tyres	YES	NO
Guns, bombs or other fittings	YES	NO
Spinners	YES	NO
Scale propellers	YES	NO
Instrument panel or cockpit interior	YES	NO
Printed or pre-cut markings or decals	YES	NO
Wire rigging or fittings	YES	NO
	YES	NO
	YES	NO

**COMPETITOR'S CERTIFICATION**

F4B, F4C, F4G, F4K: I certify that I am the builder of the model and that the answers given above are correct.

Name .....(block letters) Signature.....

F4H only – I certify that I applied the colour scheme and markings to the model and the answers given above are correct

Name .....(block letters) Signature.....

**ENDORSEMENT BY THE COMPETITOR'S NATIONAL AIRSPORTS CONTROL**

I certify that the Competitors Certification is valid and the answers given above have been verified.

Name .....(block letters) Signature.....

Position Held /Authority .....